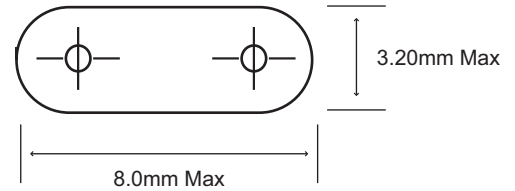
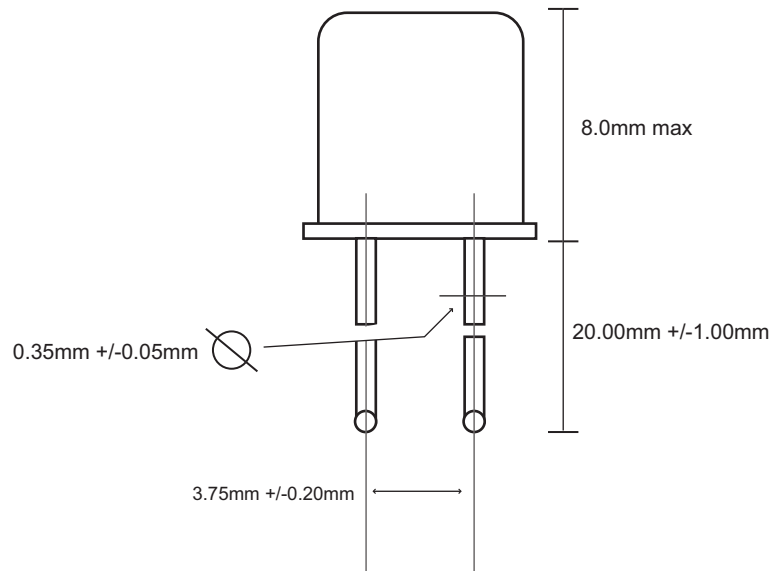


ELECTRICAL SPECIFICATIONS	
Frequency Range	10 to 200.00Mhz
Oscillation Mode	AT-Cut Fundamental 3rd, 5th & 7th Overtone
Frequency Tolerance @ 25 deg. C	±10, ±20, ±30, ±50ppm
Stability Tolerance @ 25 deg. C	±50ppm
Operating Temperature	-20° C ~ +70° C
Load Cap (CL)	Customer Request
Drive Level	0.5mW
Storage Temp. Range	-20° C ~ +125° C
Shunt Capacitance	7pF Maximum
Aging @ 25 deg. C	±5ppm per year MAX
Insulation Resistance	500 Ohms Min @ 100vdc



If you require custom specifications please contact:

**CRYSTAL DYNAMICS**  
www.cdiusa.net



## Part Number Guide

CDI-10	10M0000	C	1	3	F = Fundamental	
CDI Prefix	Freq.	Tolerance/Stability	Operating Temp.	Load Cap.	Mode of Operation	Options
10 = UM1		A = 100/100 B = 50/100	1 = 0 ~ 70° C	S = Series 6 = 12.5pF	F = Fundamental	G = 3rd Lead
5 = UM5		C = 50/50 D = 25/100	2 = -10° ~ 60° C	1 = 50pF 7 = 10pF	3 = 3rd Overtone	B = Vinyl Sleeve
6 = HC49U		E = 30/50 F = 25/25	3 = -20° ~ 70° C	2 = 32pF 8 = 7.5pF	5 = 5th Overtone	C = Insulator
6S = HC49US		G = 10/50 H = 10/25	4 = -40° ~ 85° C	3 = 30pF X = Special	7 = 7th Overtone	X = Special
6-SMD= HC49US SMD		I = 10/10	S = Special	4 = 20pF	9 = 9th overtone	T = Tape & reel
572 = 7X5mm SMD, 2 Pad		X = Special		5 = 18pF		
574 = 7X5mm SMD, 4 Pad						
26 = 2X6mm						
38 = 3X8mm						
310 = 3X10mm						